

### Assembly and Installation Instructions for Model's

# 20013/14WV

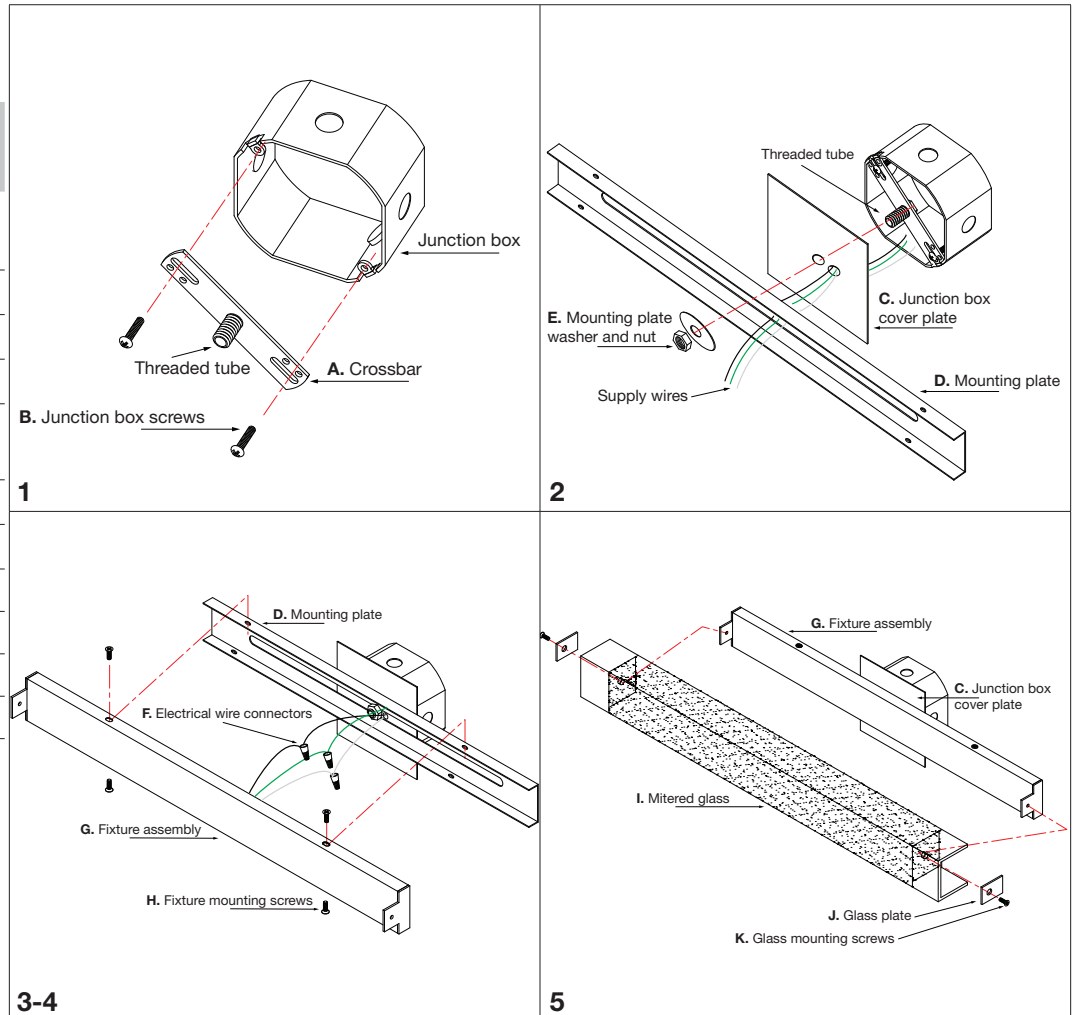
## CAUTION - RISK OF FIRE

Installation of this fixture should be done by a licensed electrician or by a person familiar with local electrical codes and the construction and operation of this fixture.

**Warning** please make sure the electrical breaker is shut off before commencing with this installation

This fixture is certified for wall mounting only and is suitable for Damp locations

Package Contents		
Part	Description	Qty
A	Crossbar with threaded tube	1
B	Junction box screws	2
C	Junction box cover plate	1
D	Mounting bracket	1
E	Mounting bracket washer and nut	1
F	Wire connectors	3
G	Fixture assembly	1
H	Fixture mounting screws	4
I	Mitered glass	1
J	Glass plate	2
K	Glass mounting screws	2



### Installing the fixture *please ensure the electrical breaker is switched off before commencing*

- 1 Attach the supplied Crossbar with the treaded tube facing outwards (A) to the Junction Box (not supplied) with the two supplied Junction box screws (B).
- 2 Feed the supply wires through the off centered hole on the Junction box cover plate (C) attach the cover plate to the threaded tube. Insert the supply wires through the slot on the Mounting bracket (D) and attach the Mounting bracket (D) over the threaded tube and loosely secure with the supplied Mounting bracket washer and nut (E). Centre the fixture by sliding the Mounting bracket (D) to the desired position and secure the Mounting bracket washer and nut (E).
- 3 Connect the supply wires to the fixture wires using the supplied electrical wire connectors (F). White supply wire to the White fixture wire, Black supply wire to Black fixture wire and the ground Bare Copper or Green wire to the Green fixture wire. Once the electrical wire connectors are securely fastened it is recommended to tape these connectors with electrical tape.
- 4 Attach the Fixture assembly (G) to the Mounting bracket (A) with the 4 supplied Fixture mounting screws (H).
- 5 Attach the Mitered glass (I) to the Fixture assembly (G) hold the the Glass plate (J) in position and secure with the supplied Glass mounting screws (K).
- 6 Reconnect the electrical breaker and the fixture is ready for use.